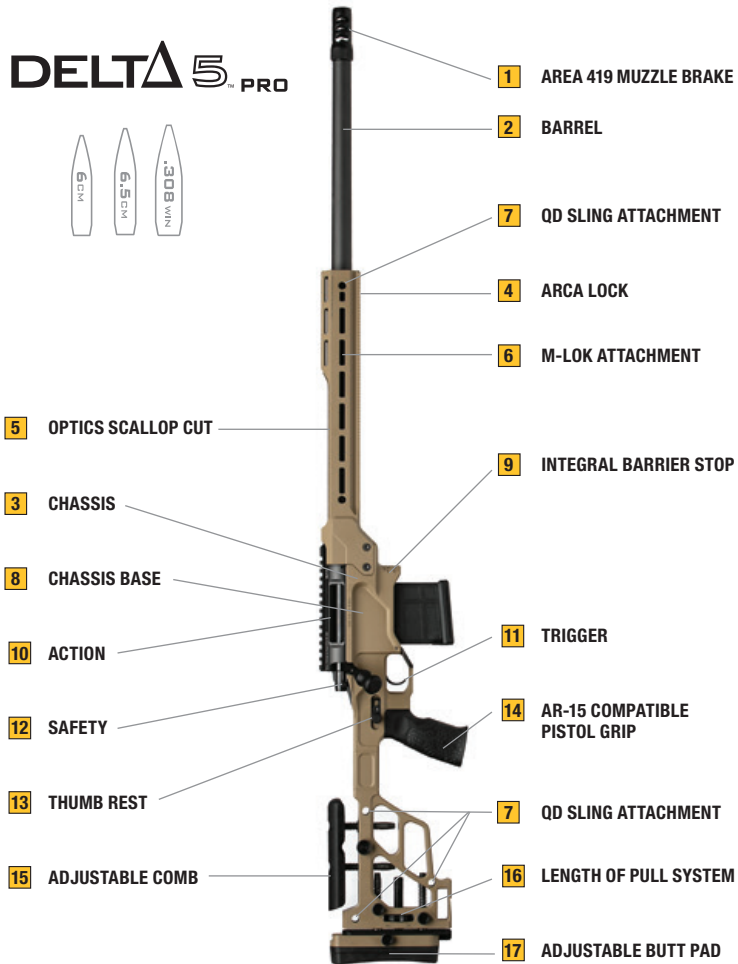
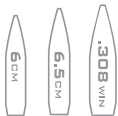


DELTA Δ 5TM PRO

CHASSIS INSTRUCTIONS

DELTA 5™ PRO



1 AREA 419 MUZZLE BRAKE

2 BARREL

7 QD SLING ATTACHMENT

4 ARCA LOCK

6 M-LOK ATTACHMENT

5 OPTICS SCALLOP CUT

3 CHASSIS

9 INTEGRAL BARRIER STOP

8 CHASSIS BASE

11 TRIGGER

10 ACTION

14 AR-15 COMPATIBLE PISTOL GRIP

12 SAFETY

13 THUMB REST

7 QD SLING ATTACHMENT

15 ADJUSTABLE COMB

16 LENGTH OF PULL SYSTEM

17 ADJUSTABLE BUTT PAD

0.5 SUB-MOA ACCURACY GUARANTEE

GUARANTEED TO SHOOT 0.5 MOA OR BETTER. Talk is cheap—including talk about how accurate a rifle shoots—so we're putting some real firepower behind our words. All Daniel Defense DELTA 5 rifles are guaranteed to shoot 0.5 MOA or less at 100 yards when used with quality factory match-grade ammunition. Not “should”; not “might.” Guaranteed to. How can we make such a claim? Because we've done the work and the testing to back it up. It's not just talk; it's not bravado. It's science backed up by data. Data that says, “If we can do it, so can you.” Guaranteed.

1. **Area 419 HELLFIRE Muzzle Brake** – Manufactured from heat treated 17-4 PH Stainless Steel with rearward facing ports for the ultimate in recoil reduction and muzzle rise mitigation.

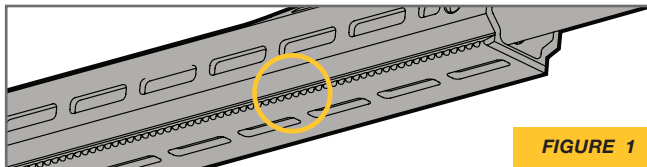
NOTE: The manufacturer does not recommend the use of Lemishine (or any citric acid cleaner) or CLR to clean your brake as it could cause discoloration of the salt bath nitride finish.

2. **Interchangeable Barrel** – Forged to contour, the DELTA 5 PRO barrel is forged to contour from a proprietary steel blend with a Cerakote finish. Muzzle is manufactured with 5/8-24" TPI. (.308 - 1:10" Twist / 6.5 Creedmoor – 1:8" Twist / 6mm Creedmoor 1:7.5" Twist)

NOTE: To disassemble the rifle, see SECTION 5.1 in the DELTA 5 User's Manual.

3. **Chassis** – The DELTA 5 PRO Chassis System is engineered for long-range-precision shooters looking for a competition-ready firearm right out of the box, with built-in features that will ensure peak performance while eliminating the need for a gunsmith and the added cost of aftermarket parts.

4. **ARCA Lock** – Integral to the chassis, the locking system extends the entire length of the forend. The one-piece design increases rigidity on the RRS compatible system (**FIGURE 1**).



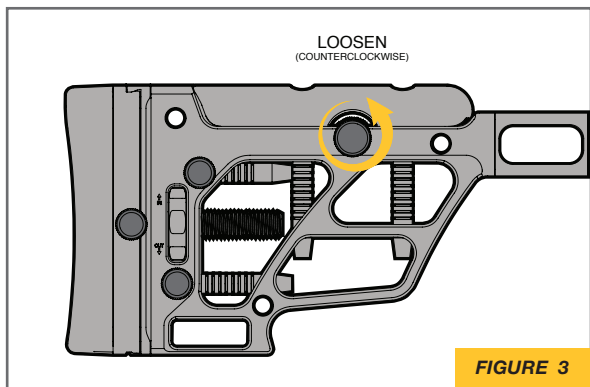
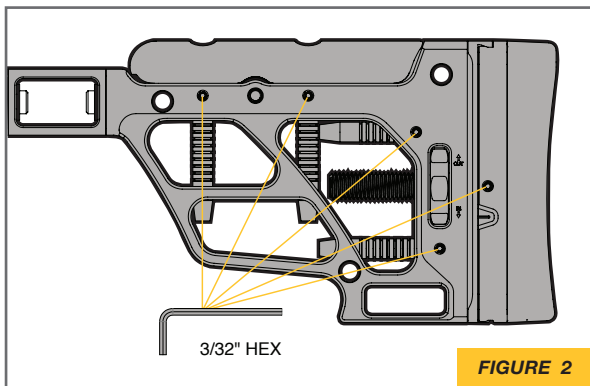
5. **Optics Scallop Cut** – The forend's upper portion includes a scallop cut, which gives additional clearance for optics. This design feature allows for the optic lens to be mounted lower, closer to the bore.
6. **M-LOK Attachment** – With six different positions along the forend, users are afforded flexibility in choosing mounting locations. M-LOK is also integrated at the bottom of the buttstock for monopod attachment.
7. **QD Sling Attachment** – The chassis is equipped with several QD points, with six on the buttstock and 4 on the forend. This firearm is equipped with one M-LOK QD Attachment which can be positioned at any of the 4 QD points along the forend using a 1/8" hex wrench.
8. **Chassis Base** – Allows for the mechanical bedding of the action, creating perfect contact between the action and the chassis. Continuous metal-on-metal design provides protection against dramatic environmental conditions that could otherwise affect the firearm's operation and accuracy.
9. **Integral Barrier Stop** – The barrier stop prevents interference with the magazine. The aggressive texture provides stability with surface contact and prevents the firearm from shifting left/right.

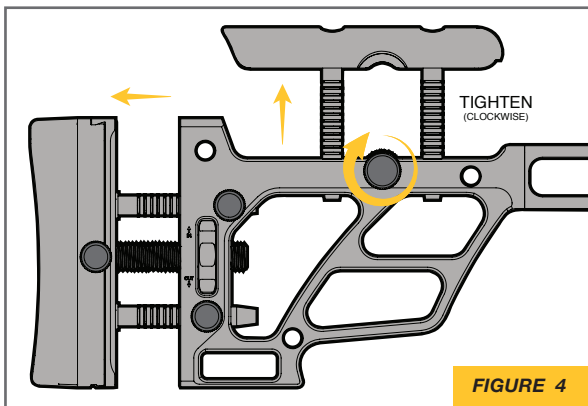
10. **Action** – Precision Stainless Steel Action and Bolt are designed to weather the seasons. The innovative three-lug bolt with 60-degree throw improves consistency shot to shot.
11. **Trigger** – Timney Elite Hunter Single Stage Trigger, a 700 pattern trigger, is factory-set at 3 lbs.

NOTE: Do not lubricate. We recommend cleaning with lighter fluid or gun scrubber. Check with manufacturer for all cleaning, maintenance and care instruction.

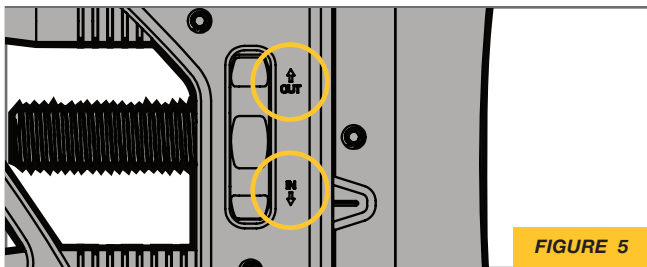
12. **Safety** – The safety is located at the rear of the action on the right side. See (FIGURE 3.2.1) in the *DELTA 5 user's manual*.
13. **Thumb Rest** – Located just above the pistol grip on the right side of the receiver, the adjustable thumb rest has arrows to show left/right adjustment. To adjust, use a Torx Plus 25IP bit. Turn counterclockwise to loosen. Slide the thumb rest left or right to the desired position, then tighten. Be careful not to overtighten.
14. **AR-15 Compatible Pistol Grip** – Designed with ergonomics and controllability in mind, the Daniel Defense Pistol Grip shares the angle of the 1911 pistol for the most natural hand position. A soft touch overmolding enhances grip for all weather conditions.
15. **Adjustable Comb** – The Comb/Cheek piece is adjustable for height and yah. The knob, located on the right side of the stock, just below the comb, has a knob/spring vice that makes for ease of adjustment, holding the setting in place when released. A c-clip is included, which allows the user to secure the comb's height. Two set screws, located below the comb on the left side of the stock, allows the user to set the height to a semi-permanent position (See FIGURES 2,3,4). Using a 3/32" hex wrench, turn clockwise to tighten and set the height at the desired position. To make further adjustments, simply turn the set screws counterclockwise until loose, and repeat the process.

To adjust the cheek piece, two screws are located at the top of the cheek riser. Using a Torx Plus 30IP wrench, turn the two screws counterclockwise. Adjust the piece to the user's preference, then tighten.

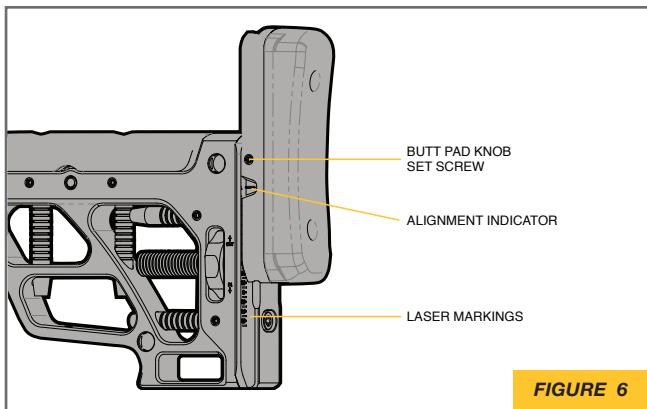




16. **Length of Pull System** – Length of pull is adjusted using the wheel located at the center rear of the buttstock. The wheel is friction locked and allows for toolless adjustment to the length of pull. Arrows, on either side of the buttstock, demonstrate which direction the wheel should be turned to increase/decrease the length of pull (See FIGURE 5). Once in the desired location, set screws located on the left side of the stock allow for a semi-permanent position. Using a 3/32" hex wrench, turn set screws clockwise to tighten and set to the desired length. To make further adjustments, simply turn the set screws counterclockwise until loose, and repeat the process.



17. **Adjustable Butt Pad** – The butt pad knob, located on the right side of the butt pad, allows for toolless vertical adjustment (See FIGURE 4). To adjust the setting, turn the knob counterclockwise. The butt pad slide, attached to the butt pad, will move up and down to the optimal location. Once set, turn the knob clockwise to tighten. A set screw, located on the reverse side of the butt pad slide from the knob, allows the user to set to a semi-permanent position. Using a 3/32" hex wrench, turn clockwise to tighten and set the butt pad at the desired position. To make further adjustments, simply turn the set screw counterclockwise until loose, and repeat the process. An alignment indicator has been integrated into the design. Along with laser markings on the black anodized portion, adjacent to the butt pad, is a cutout with the alignment indicator line, which aids the user in determining preset location (See FIGURE 6).



WARRANTY STATEMENT

All Daniel Defense products carry a 100% satisfaction guarantee against defects in original materials and workmanship. If your Daniel Defense product shows evidence of such defects, Daniel Defense will make every accommodation to fix, repair, or replace your product expeditiously. Daniel Defense does not warranty products or damage caused to our products by the correct or incorrect installation of other manufacturer's products. Be sure to retain your sales slip as proof of purchase date when making a claim.



| NOTES |



»® FREEDOM. PASSION. PRECISION.®

 **MADE IN THE USA**

101 WARFIGHTER WAY BLACK CREEK, GA 31308 | 1.866.554.GUNS (4867) | DANIELDEFENSE.COM

Daniel Defense, Daniel Defense with the interlocking DD, and others are trademarks registered with the United States Patent and Trademark Office.

Rev. 1.0